

DATASHEET

Bentoni

SRFG017 • flexiiANT®



Features

- Antenna for 1559 – 1609 MHz applications
- Solution for all global public constellations: GPS, GLONASS, Beidou and GALILEO
- Maintains high performance within device: DFI (Designed For Integration)
- 1.13mm diameter RF cable with I-PEX MHF connector
- Self-adhesive mounted
- Quick integration minimizes design cycle
- High performance
- 50mm or 100mm cable – (other lengths available, MOQs apply)

1. Description

Bentoni is intended for use with all positioning applications. It is a flexible antenna with a cable enabling direct connection to the host PCB for easy integration with plug and play simplicity. This product specification shows the performance of the antenna to cover a typical GNSS reception: 1559 – 1609 MHz.

2. Applications

- Trackers
- Portable devices
- Drones
- Network devices
- Wearable devices

3. Part number

SRFG017-xxx



Part number	Cable length
SRFG017-50	50mm
SRFG017-100	100mm

Note. -xxx refers to cable length option:

4. General data

Frequency	1559 - 1609MHz
Polarization	Linear
Operating temperature	-40°C to +85°C
Environmental condition test	ISO16750-4 5.1.1./5.1.2
Impedance with matching	50 Ω
Weight	<0.5g
Antenna type	FPC Self-adhesive 3M 468MP
Dimensions	40.0 x 14.0 x 0.15 (mm)
Connection	I-PEX MHF1 (20278-112R-13)
Cable length	50 /100mm (other lengths available)

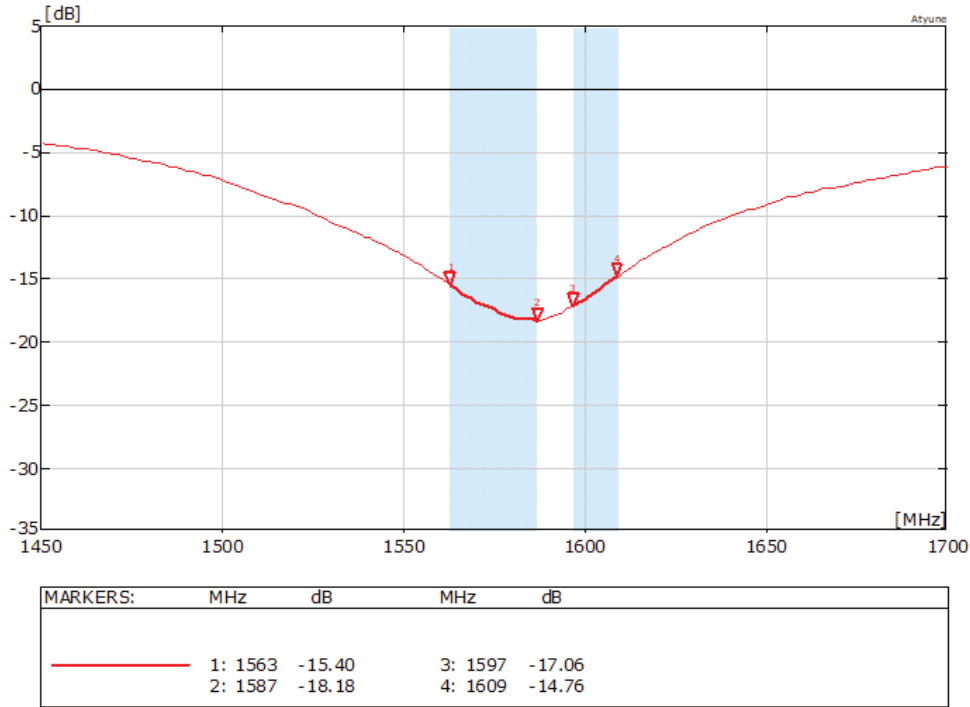
5. RF characteristics

1559 - 1609 MHz	
Peak gain	4.0dBi
Average gain	-1.2dBi
Average efficiency	>75%
Maximum return loss	-14dB
Maximum VSWR	1.45:1

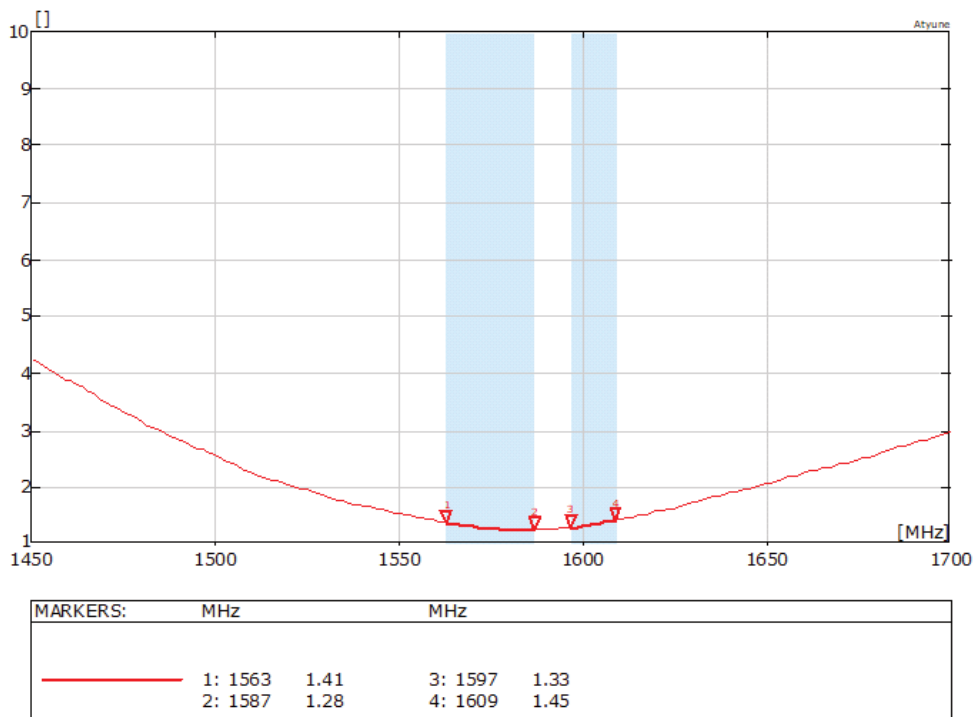
All data measured in a loaded condition adhered to a plastic carrier free space.

6. RF performance

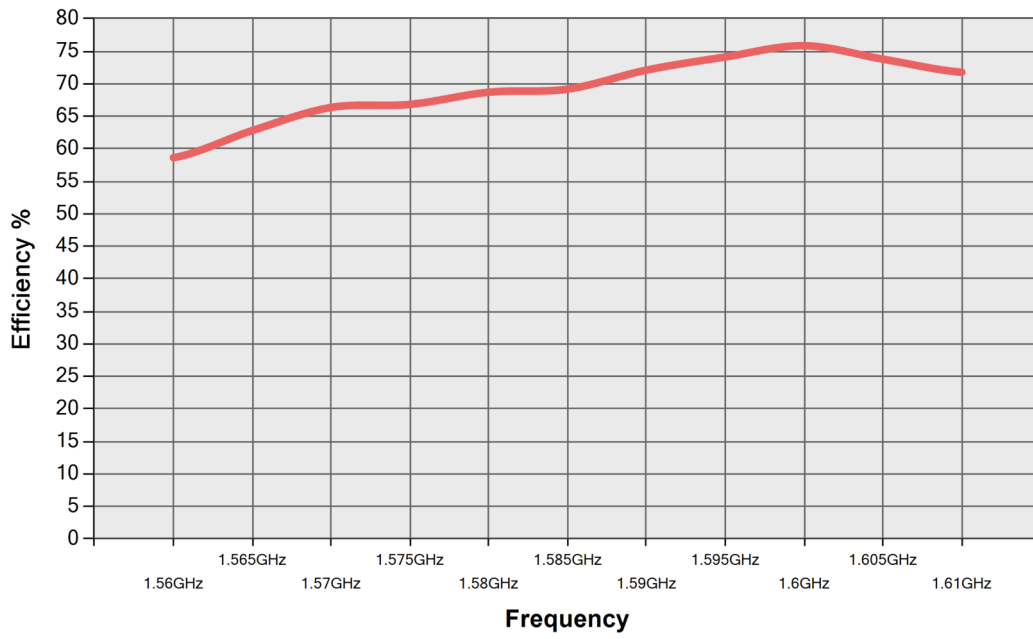
6.1. Return loss



6.2. VSWR



6.3. Efficiency

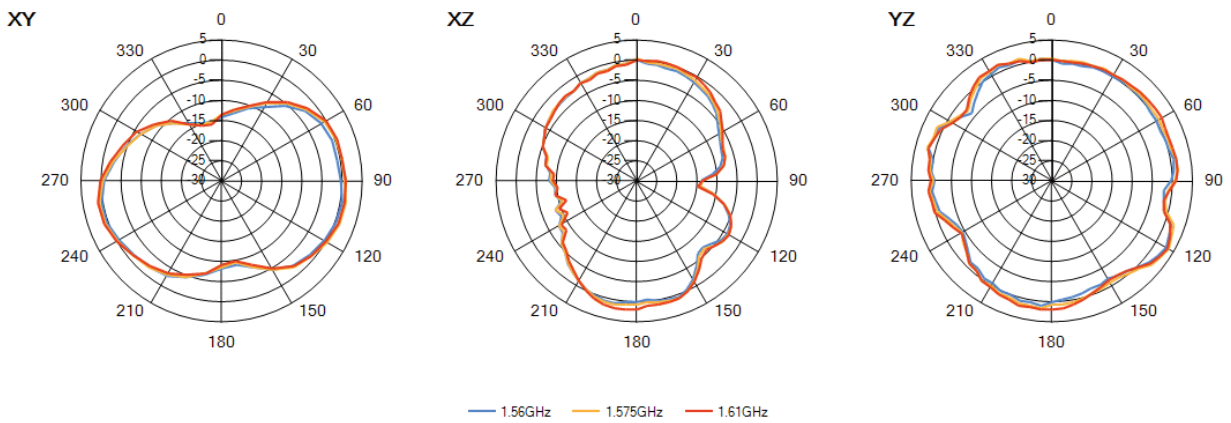


All data measured on SRFG017-100 in a loaded condition adhered to a plastic carrier in free space.

6.4. Antenna pattern

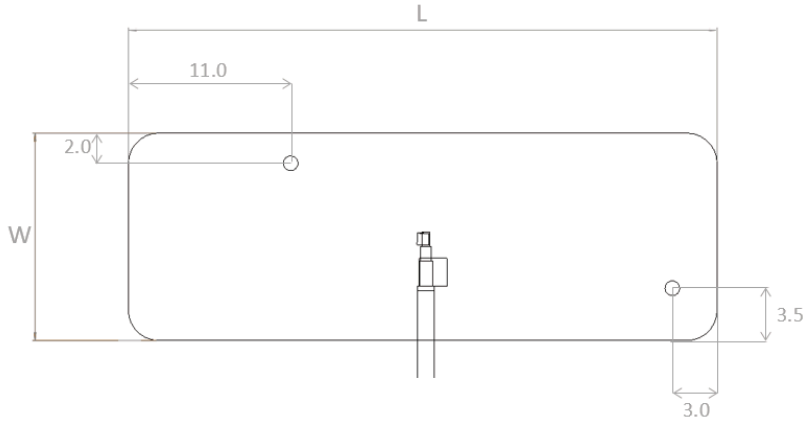
6.4.1. 1575 MHz

3D pattern at 1575MHz



7. Antenna dimensions

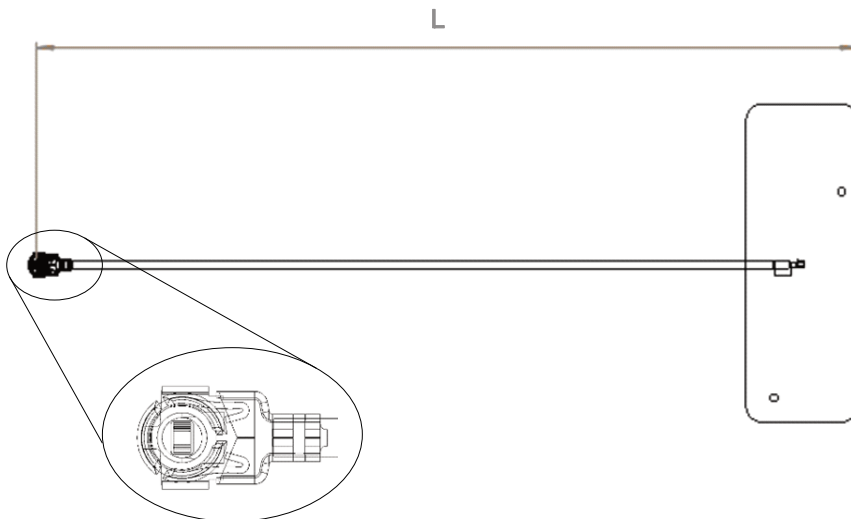
7.1. Dimensions FPC section



L	W	T
Length	Width	Thickness
40.0 ±0.1	14.0 ±0.2	0.15 (nominal)

All dimensions in (mm)

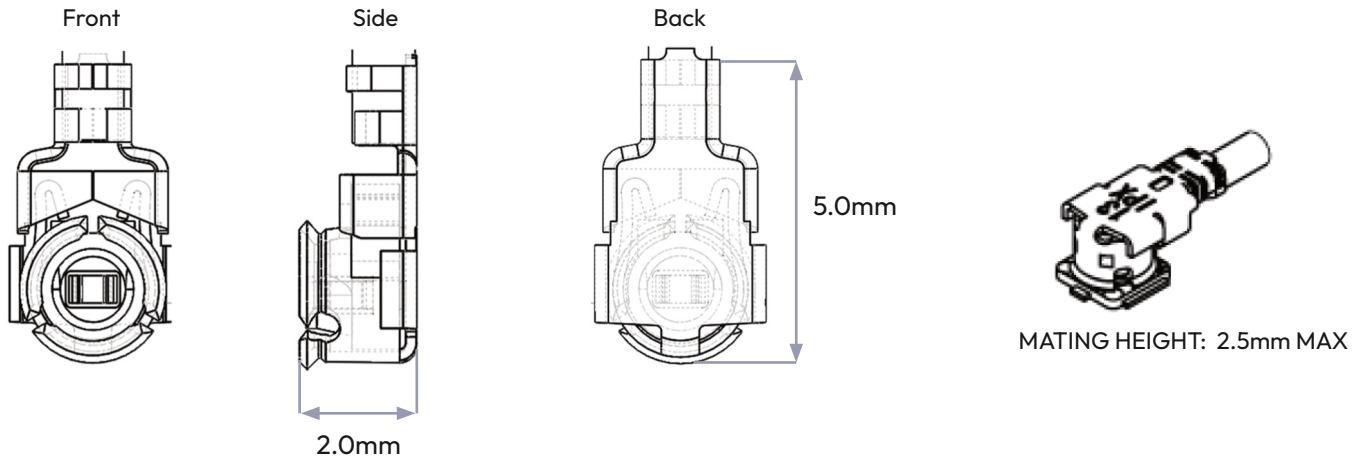
7.2. Dimensions assembled



SRFG017-50	SRFG017-100
Length (L)	Length (L)
57 ±2.0 (mm)	107 ±2.0 (mm)

All dimensions in (mm)
 Standard cable length for this antenna are 50mm and 100mm
 (other lengths are available, MOQs apply)

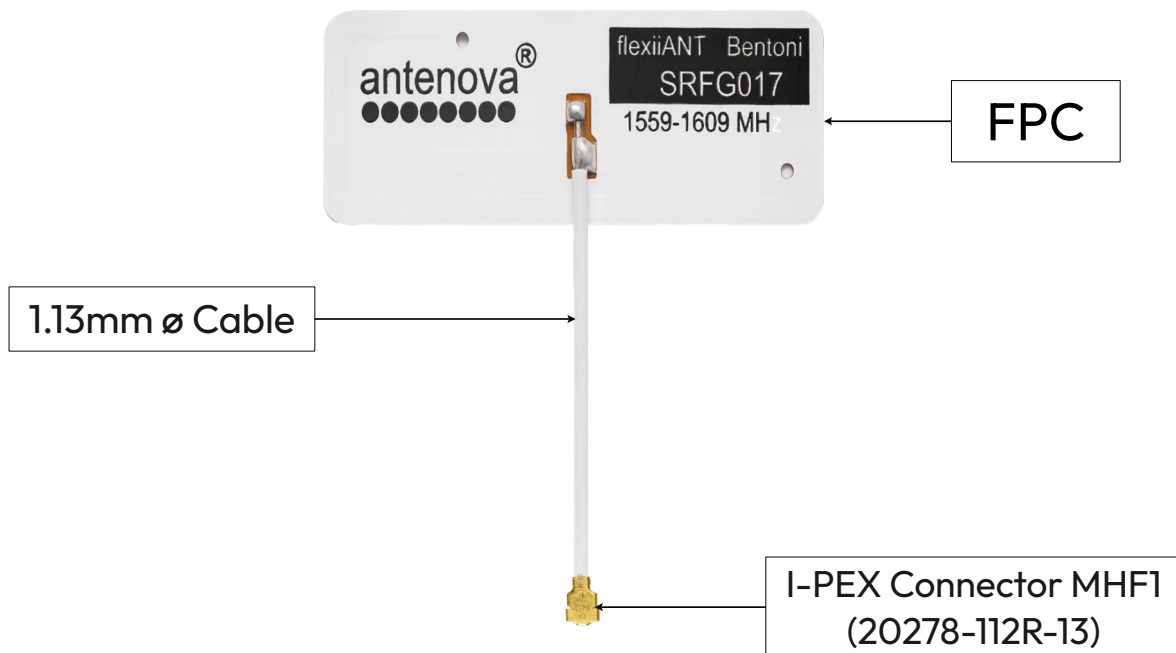
7.3. I-PEX connector MHF1 (20278-112R-13)



I-PEX	
Material	Copper alloy
Plating	Ag

All dimensions in (mm)

7.4. Assembly



8. Electrical interface

8.1. Host interface

The host PCB requires the mating connector which is the I-PEX MHF (UFL) receptacle. The location should be close to the chip/modules pin for the RF. Any feed from this receptacle should be maintained at 50Ω impedance

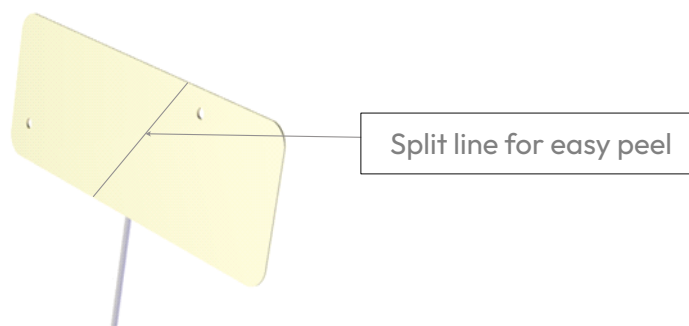
8.2. Transmission line

- Must have a characteristic impedance of 50Ω.
- Length should be kept to a minimum.
- Is recommended to be a co-planar waveguide: log on to Antenova.com and try our [Transmission line calculator](#) to easily calculate the dimensions most suited to your requirements.
- Should have DC blocking capacitor (e.g. 220pF) placed in line to protect the RF front end.

9. Mechanical fixing

The antenna uses 3M 468MP adhesive on the reverse side of the FPC. The antenna has an easy access split line to peel off to reveal the adhesive side. It is designed for a one time fix to a clean smooth surface. The antenna is keyed with two 1mm locating holes for easy positioning.

FPC back side



10. Antenna integration guide

We recommend the following during the design phase to maximise antenna performance and minimize noise:

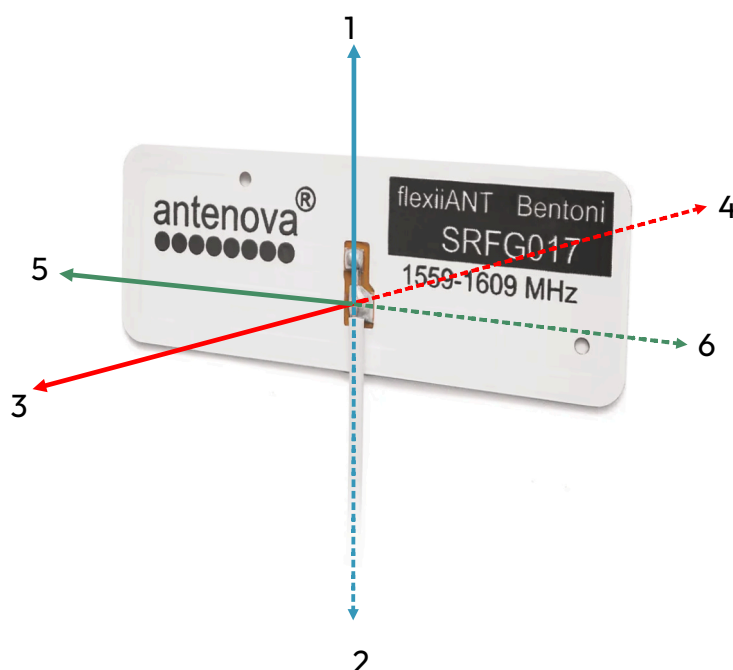
- Minimum 4 layer PCB
- Route signals and power internally where possible
- Flood all layers with ground
- Knit ground on all layers together with plenty of vias

Follow placement guidance carefully, in addition Antenova provide technical support to help you through all stages of your design. Register for an account on <https://ask.antenova.com/> to access technical support.

10.1. Antenna placement

For FPC antennas the host PCB size is not critical to performance, however consideration must be given to placement. Using six spatial directions, as shown below, the antenna should ideally maintain a minimum of three directions free from obstruction in order to radiate effectively. Where there are obstructions (e.g. PCB, metal parts, battery etc.) a minimum clearance should still be maintained. These minimum clearances are described later in this section.

Six spatial directions relative to FPC

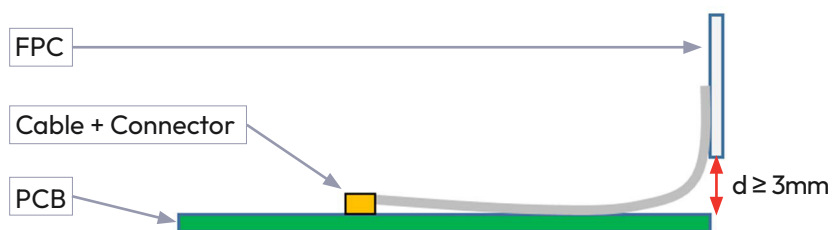


10.2. Orientation of FPC

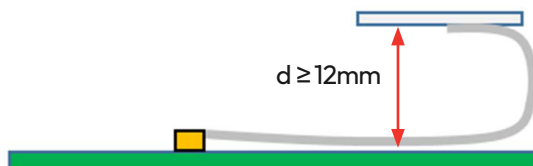
The orientation of the FPC with respect to the host PCB should be defined depending on the unit. The proximity of the GND will have an influence on the antenna so the PCB location relative to the antenna should be considered.

The FPC will normally be placed in one of the three following options for orientation. In each option a distance (d) is the critical dimension to consider. The diagram below shows the minimum value of (d) for each. Other obstructions may increase this dimension.

Vertical mounted



Co-planar to PCB



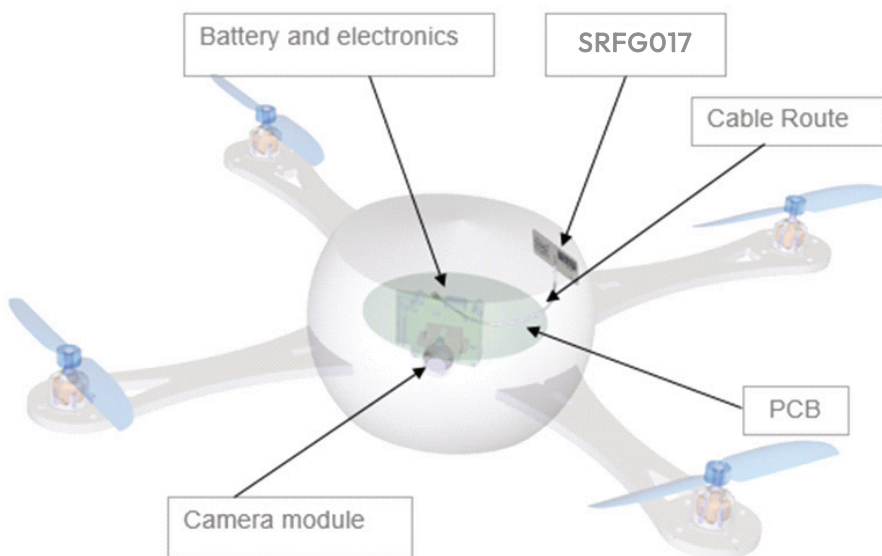
Planar to PCB (Same plane)



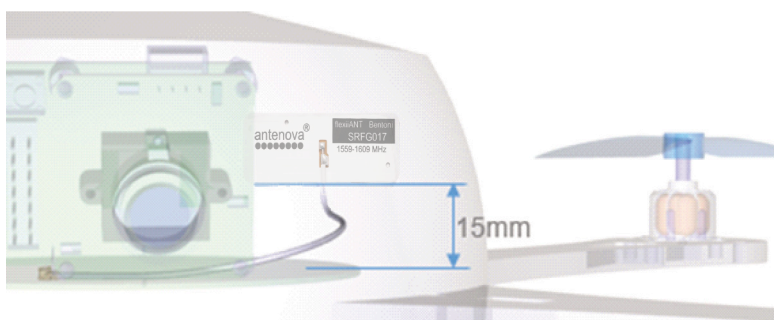
10.3. Device integration example

An example of integration within a drone is shown below. The device contains the major components along with the device outer case. The FPC is shown adhered to the inside of the device's plastic housing. The length of the cable should be chosen to be sufficient to allow ease of assembly when produced (SRFG017-100 in example).

The FPC was placed vertically relative to the PCB. The FPC is kept at maximised height above the PCB to ensure it is above the minimum clearance of $\geq 2\text{mm}$. This example shows the FPC 5mm above the PCB. For this type of device it is advisable to keep the antenna away from the electric motor cables and motors themselves that may interfere.



For vertical placement relative to PCB d=15mm (min $\geq 2\text{mm}$)



11. Hazardous material regulation conformance

The antenna has been tested to conform to RoHS and REACH requirements. A certificate of conformance is available from Antenova's website.

12. Packaging

The antennas are stored within a plastic bag of 100 pcs.

Single antenna per bag



100 units per bag (Labelled)



12.1. Optimal storage conditions

Temperature	-10°C to 40°C
Humidity	Less than 75% RH
Shelf life	18 Months
Storage place	Away from corrosive gas and direct sunlight
Packaging	Antennas should be stored in unopened sealed manufacturer’s plastic packaging.

Note: The shelf life of the antenna is 18 months, provided the bag of 100 pieces remains factory- sealed.

12.2. Label information



Quality statements

Antenova's products conform to REACH and RoHS legislation. For our statements regarding these and other quality standards, please see [antenova.com](https://www.antenova.com).

Antenova reserves all rights to the contents of this document. Antenova gives no warranties based solely on the accuracy or completeness of the contents of this document and reserves the right to make changes to the specifications of the products described herein at any time and without notice.



Datasheet version

2.01 release 12th June 2026

Antenna design, integration and test resources

Product designers – the details contained in this datasheet will help you to complete your embedded antenna design. Please follow our technical advice carefully to obtain optimum antenna performance.

We aim to support our customers to create high performance wireless products. You will find a wealth of design resources, calculators and case studies to aid your design on our website.

Antenova's design laboratories are equipped with the latest antenna design tools and test chambers. We provide antenna design, test and technical integration services to help you complete your design and obtain the required certifications.

If you cannot find the antenna you require in our product range, please contact us to discuss creating a custom antenna to meet your exact requirements.

Share knowledge with RF Experts around the world

ask.antenova is a global forum for designers and engineers working with wireless technology

[Visit Ask.Antenova](#)

Visit antenova.com

Order antenna samples and evaluation boards, and read our antenna resources

[Visit antenova.com](http://antenova.com)

Request a volume quotation for antennas:

sales@antenova.com

+ 44 (0) 23 9400 1023

Global headquarters

**Antenova Ltd, 7 The Briars,
Waterberry Drive, Waterlooville,
Hampshire, PO7 7YH**